



# 承 认 书

## SPECIFICATION FOR APPROVAL

CUSTOMER/客户:	
TYPE/类型:	TOROIDAL TRANSFORMER
PART NO./物料编号:	-----
CUSTOMER'S MATERIAL NO./客 户型号:	
OUR MODEL NO./本厂编号:	JL-368RT
DESIGN/编制:	姚 林
APPROVAL/批准:	刘邵恒
AUTHORIZED SIGNATURE & COMPANY CHOP 客户认可回签(章)	

东 莞 市 石 碣 君 凌 电 子 厂

Dongguan City Shijie Junling Electronic Factory

地址: 广东省东莞市石碣镇新城崇焕西路108号三楼

TEL: 0769-86363687

FAX: 0769-86369558

E-mail address: dgjunling@163.com

<http://www.dgjunling.com>



ELECTRICAL PERFORMANCE/电气性能

**1. ENFORCE STANDARD/执行标准**

SAFETY STANDARD/安规标准: EN61558-1

**2. ELECTRICAL PERFORMANCE/电气参数**

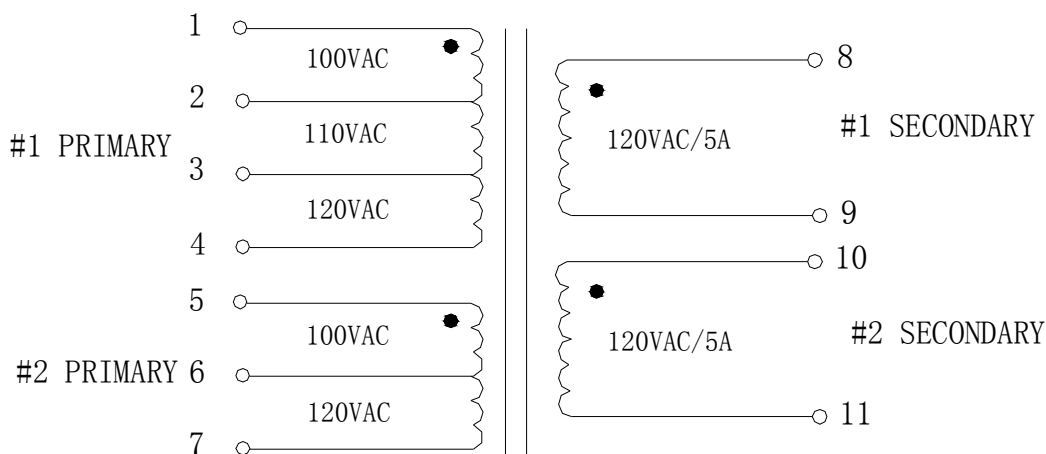
Primary rated voltage/初级额定输入: 0V-100V-110V-120V 0V-100V-120V 60Hz

Exciting current/最大空载(励磁)电流: 83mA (引线 1-4 输入 125V/60Hz), 铁损小于 9.5W

Secondary rated voltage and current/次级额定输出:

	UNLOAD VOLTAGE 空载电压(VAC ±3%)	LOADING VOLTAGE 负载电压(VAC±3%)	RATED CURRENT 额定负载电流(AAC)
S1: 8~9	0V-128V	0V-120V	5A
S2: 10~11	0V-128V	0V-100V-120V	5A
S3:			
S4:			

**3. CIRCUIT DIAGRAM/电路图**



注: 次级绕组先绕, 1、5、8、10为线头同名端

**4. WORKING AND SAFETY PROTECTION/工作防护及安全保护**

- Electrostatic Shield/静电屏蔽       Magnetic Shield/磁屏蔽  
 Temperature Protection/温度保护       Over Current Protection/过电流保护

**5. INSULATION/绝缘性能**

Insulation resistance test (type test)/绝缘电阻测试 (型式测试): Pri.~sec. 500V DC 100 MΩ MIN.

HI-POT TEST (100% test)/耐压测试 (100%测试): Pass our dielectric strength test, without any breakdown

Pri.~Pri. and Pri.~sec. AC 4kV for 1 seconds (leakage current 5mA MAX)

通过以下绝缘强度测试不产生绝缘崩溃

初级对初级和初级对次级 AC 4kV 60 秒 (最大漏电流 5mA);

**6. TEMPERATURE RISE/温升性能**

Ta=25°C Test by resistance method At rated load 2H WINDINGS' TEMPERATURE RISE 75°C MAX.

环境温度为 25°C 电阻法测试 额定负载 2 小时 绕组最大温升为 95°C.

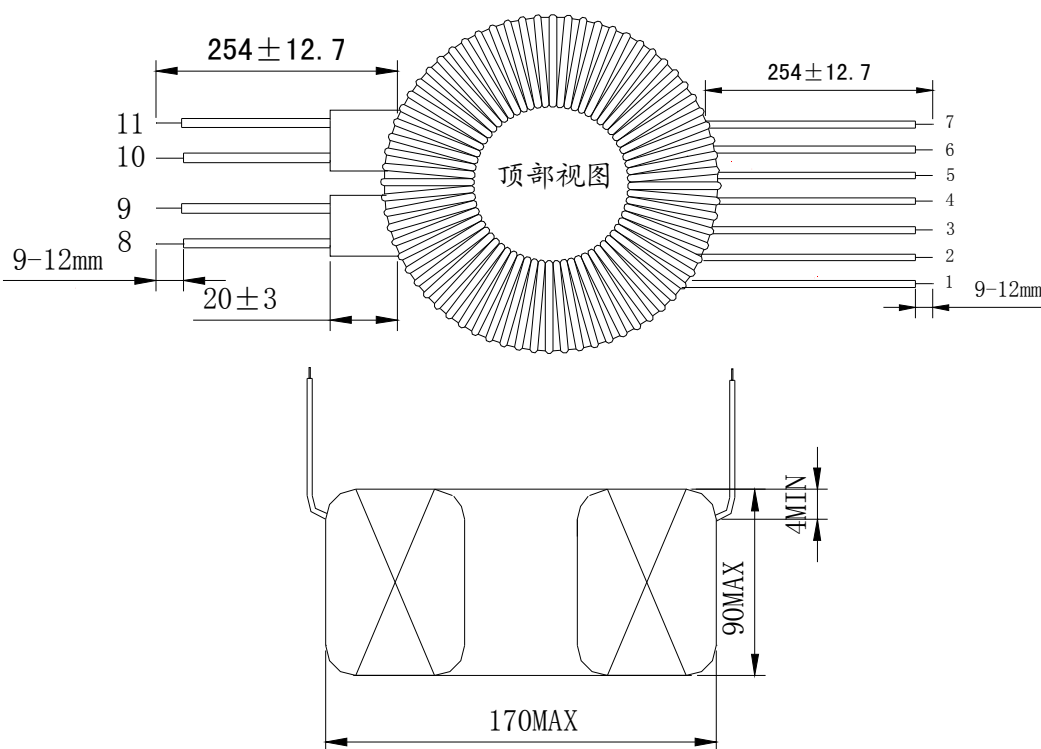
**7. MAJOR MEASUREMENT FACILITIES/主要测量设备:**

HI-POT TESTER (高压机): CJ2670	INSULATION-RESISTANCE METER(绝缘电阻表): ZC-7
VOL TMETER (电压表): T19-V	DC-RESISTANCE METER (直流电阻表): QJ44
AMPEREMETER (安培表): T19/1-A	



EXTERNAL VIEW/外观

LEADS/引线	PRIMARY/初级		SECONDARY/次级	
LEAD NO./ 引线序号	1~2 ~3~4	5~6~7	8~9	10~11
COLOR/ 颜色	Black/黑	Black/黑	Black/黑	Black/黑
SPECS/ 规格	2、3: 自身铜线套套管引出 1、4: 3212#14AWG	6: 自身铜线套套管引出 5、7: 3212#14AWG	自身铜线套套管引出	自身铜线套套管引出
LENGTH/ 长度(±12.7mm)	254mm			
TERMINAL/ 线端	Strip & Tin 9mm-12mm			



注：抽头1、4、5、6引出线为UL3212#14AWG；1、4、5、7、8、9、10、11为自身铜线套套管引出。

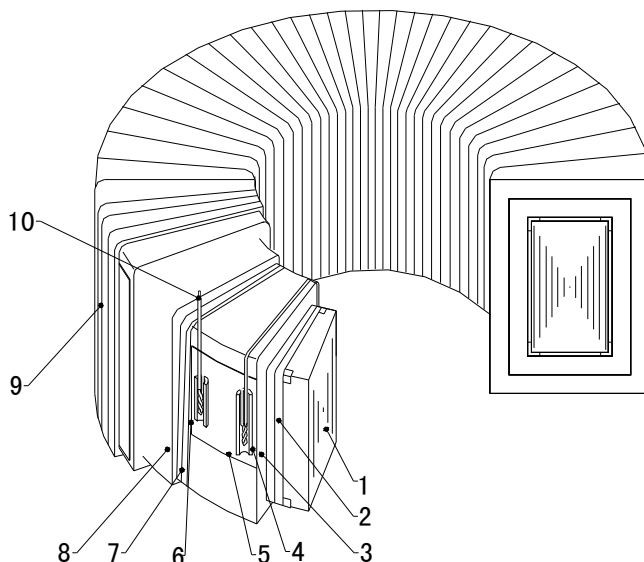
Note: The dimension is not including the leads emergence./ 以上外型尺寸不含出线处。

The dimension including the leads emergence./外型尺寸含出线处 Ht:90max,Od: 170max.

LABEL/标签	WEIGHT/重量(kg)	8.8±0.2
ACCESSORIES/附件		
1	METAL WASHER/环牛盖	
2	RUBBER WASHER/橡胶垫	
3	SCREW/螺栓(白锌)	
4	HEX NUT/螺母	
5	WASHER/平垫	
6	LOCK WASHER/弹垫	
7	RUBBER WASHER/橡胶垫	
8	METAL WASHER/方型盖(圆孔)	



CONSTRUCTION & MATERIAL LIST/结构及材料明细



NO: 序号	DENOMINATION 名称	MATERIAL 材料	型号/规格	SUPPLIERS 供应商	认证	CERTIFICATE NUMBER 认证号
1	Annular core 环形铁芯	Cold rolling directional silicon steel 取向硅钢带	Z11 0.23mm-0.35mm	NIPPON STEEL CO. or equivalent	—	----
2	Core Insulation 铁芯绝缘	SOFLEX NHN 13C 复合绝缘纸 13C	NHN 15mm× 0.13mm 一次 1/2 绝缘	SUI ON INSULATING MATERIALS CO LTD or equivalent	UL	E230926
3	Sec.Winding 次级绕组	Enamelled copper wire 漆包圆铜线	EIW/180℃or QZY/180 ℃	NINGBO JINTIAN NEW MATERIAL CO LTD or equivalent	UL	E227047
4	Terminal cannula 接头护套	硅橡胶玻璃纤 维内胶外纤套 管	Φ2mm/×0.5mm /105℃ Φ5mm/×0.5mm /105℃	QIFURUI ELECTRONICS CO DAE CHANG ELECCOM CO LTD GUANGZHOU KAIHENG ENTERPRISE GROUP or equivalent	UL	E225897 E120268 E214175
5	Pri. Insulation 初级绝缘	SOFLEX NHN 13C 复合绝缘纸 13C	NHN 15mm× 0.13mm 三次 1/2 绝缘	SUI ON INSULATING MATERIALS CO LTD or equivalent	UL	E230926
6	Pri. Winding 初级绕组	Enamelled copper wire 漆包圆铜线	EIW/180℃or QZY/180 ℃	NINGBO JINTIAN NEW MATERIAL CO LTD or equivalent	UL	E227047
7	Terminal underlay 接头垫护	SOFLEX NHN 20C 复合绝缘纸 20C	NHN 25mm×0.2mm	SUI ON INSULATING MATERIALS CO LTD or equivalent	UL	E230926
8	Insulation protection 保护胶	高温烤不动胶带	10mm 12mm	SUI ON INSULATING MATERIALS CO LTD or equivalent	UL	E230926
9	Coating insulation 外包绝缘	SOFLEX NHN 13C 复合绝缘纸 13C	NHN 15mm× 0.13mm 一次 1/2 绝缘	SUI ON INSULATING MATERIALS CO LTD or equivalent	UL	E230926
10	Lead 引线	UL WIRE 认证电子线	3212#14AWG 单芯	SHENZHEN DONG JU WIRE &CABLE CO LTD. QIFURUI ELECTRONICS CO. or equivalent UL recognized wire	UL	E189674 E211048